

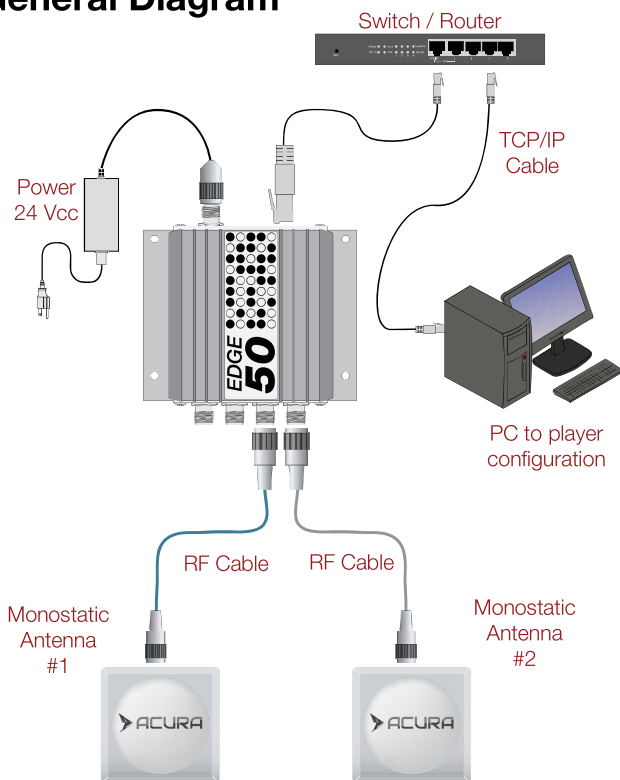


The EDGE-50 TCP/IP is a RFID UHF Reader with small dimensions and great performance. It is based on the module M6e, which allows up to 4 mono-static antennas and custom software development using a free SDK available in C, .NET and Java. It communicates via Ethernet TCP/IP and/or USB.

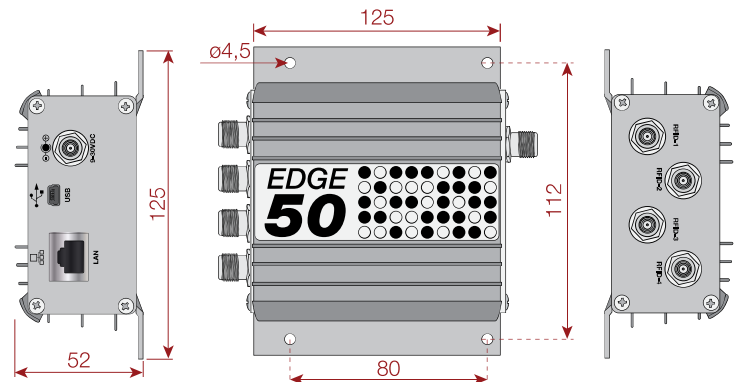
Homologação
00976-13-08437



General Diagram



Dimensions [mm]





Transponders Protocol

Protocols	ARTEFATO PA SJ5511 v.1.0 ¹ SINIIV G0 v.1.0.0 ¹ BRASIL-ID P63 ¹ EPC Gen2 (ISO 18000-6C) ISO 18000-6B
-----------	--

Comandos custom. implementados e testados

Artefato PA SJ5511	Activate_Secure_Mode Authenticate_OBU
Siniav G0	Activate_SINIIV_Mode OBU_Auth_ID OBU_Auth_Full_Pass1 OBU_Auth_Full_Pass2 OBU_Auth_Full_Pass (Pass1 + Pass2) OBU_ReadFromMemMap OBU_WriteToMemMap
Brasil-ID P63	ReadSec WriteSec
EPC Gen2 (ISO 18000-6C)	Todos os comandos obrigatórios (Read, Write, Lock, ReadMemBlock, WriteMemBlock, etc)

RF Interface

RF Power Output	Separate read and write levels, command adjustable from 5 to 30 dBm (1 W) with ± 0.5 dBm accuracy above +15 dBm ²
Regulatory	Pre-configured for the following regions: ANATEL (BR) 902 - 907 MHz and 915 - 928 MHz FCC (NA) 902 - 928 MHz ETSI (EU, IN) 865,6 - 867,6 MHz
Mode	Frequency Hopping or Fixed Frequency (Configurable frequency table)
RF Modulation	PR-ASK
RF Encoding	FM0, Miller M2, M4 and M8
Backscatter Link Frequency (BLF)	250 kHz, 320 kHz and 640 kHz
Performance	
Max Read Rate	Up to 750 tags / second using high-performance settings
Max Tag Read distance	Over 30 feet (9 m) with 12.5 dBi antenna (36 dBm EIRP) ³



Control / Data Interface

Conectors	<p>Power: Power Jack 2,5 mm</p> <p>Communication: RJ45 and USB Mini B</p> <p>Antenna: TNC 50 Ω connector</p>
Data Communic.	<p>USB Serial: Type 2.0. Up to 12 Mbps. Driver for Windows, Linux does not require driver.</p> <p>Ethernet: Data rate: 10/100 Mbps. 1.5 kVAC isolated IEEE 802.3 Standard</p>
API support	<p>C#/.Net, Java, C. (Include samples, source codes and Demo Software)</p>

Power

DC Power required	<p>DC Voltage: 24 VDC ± 1%</p> <p>Max Ripple: 200 mVpp</p>
DC power cons. @ RF level	<p>Max 15 W @ 30 dBm With maximum duty cycle</p>

Environmental

Water Tightness	IP40 (indoor use only)
Operational temp.	-10°C to + 65°C
Storage temp.	-10°C to + 70°C
Humidit	95%

Physical

Dimensions	125 x 125 x 52 mm
Weight	450 g ±10 g
Mounting	Four 4.5 mm holes on the side flaps

¹ Brazil standards for tolling and supply chain applications.
² Maximum power may have to be reduced to meet regulatory limits, which specify the combined effect of the module, antenna, cable, etc.
³ Read distance may vary depending of Tag, antenna and environmental conditions.

Purchase Code:

100.255: EDGE-50 TCP/IP ACURA's UHF RFID Reader